



TM

Z-3000  
OWNER'S MANUAL



Welcome to clean air with TruSens. Thank you for allowing us to join you on your journey towards wellness.

The air you breathe should be clean, no matter where you are in the room. TruSens SensorPod™, PureDirect™ Technology & DuPont™ Filtration ensure the whole room benefits from cleaner air.

## CONTENTS

- SAFETY INFORMATION \_\_\_\_\_ 4
- FEATURE HIGHLIGHTS \_\_\_\_\_ 6
- PRODUCT OVERVIEW \_\_\_\_\_ 7
- GETTING STARTED \_\_\_\_\_ 8
- CONTROL PANEL \_\_\_\_\_ 10
- AIR QUALITY DISPLAY \_\_\_\_\_ 11
- SPECIFICATIONS \_\_\_\_\_ 12
- CARE & MAINTENANCE \_\_\_\_\_ 13
  - Replacing HEPA Filter \_\_\_\_\_ 13
  - Replacing Carbon Filter \_\_\_\_\_ 14
  - Washing the Prefilter \_\_\_\_\_ 14
  - Replacing UV Bulb \_\_\_\_\_ 15
  - Cleaning the SensorPod™ \_\_\_\_\_ 16
- FAQ & TROUBLESHOOTING \_\_\_\_\_ 17
- WARRANTY & SUPPORT \_\_\_\_\_ 19

## SAFETY INFORMATION

### PLEASE READ AND SAVE THESE INSTRUCTIONS

This appliance has a polarized plug (one blade is wider than the other). To reduce the risk of electric shock, this plug is intended to fit in a polarized outlet only one way. If the plug does not fit fully in the outlet, reverse the plug. If it still does not fit, contact a qualified electrician. Do not attempt to defeat this safety feature. Unplug or disconnect the appliance from the power supply before replacing filters or UV bulb, or when appliance is not in use.



**WARNING:** To reduce the risk of fire or electric shock, do not use this fan with any solid-state speed control device.

Do not operate any purifier with a damaged cord or plug, or if the wall socket is loose.

Do not run cord under carpeting, throw rugs, runners, or similar coverings. Do not run cord under furniture or appliances. Arrange cord away from traffic area and where it will not be tripped over.



**WARNING:** Skin or eye damage may result from directly viewing the light produced by the bulb in this apparatus. Always disconnect power before replacing or servicing. Replace bulb with UVLZ3000-01, Manufactured by ACCO Brands.

- Remove all packaging, including the filter bag, before use.
- Appliances that are obviously damaged must not be operated.
- This appliance must only be connected to a wall socket outlet matching the supply plug type and rating stated on the rating plate.
- Locate air purifier near the outlet wall socket and do not use extension cords.
- This appliance can be used by children aged from 8 years and above and persons with reduced physical, sensory or mental capabilities or lack of experience and knowledge if they have been given supervision or instruction concerning use of the appliance in a safe way and understand the hazards involved.
- Children shall not play with the appliance.
- Replace the UV bulb with the models specified within this manual.
- Do not attempt to service or repair this product yourself.
- Only use the purifier and SensorPod™ with the power cable provided.
- Only clean this machine with a damp cloth, do not use solvents or bleach.
- Ensure appliance is always placed on firm level surface before operation.
- Do not block or obstruct the air intake or outlet vents.
- Do not insert fingers or other items into the air intake or outlet vents.
- When the air purifier is in standby mode the SensorPod is still transmitting a signal/data.

Z-3000: FCC ID: GV3-18Z3000 IC: 6128A-18Z3000  
Sensor: FCC ID: GV3-18SP001 IC: 6128A-18SP001

This device complies with part 15 of the FCC Rules. Operation is subject to the following two conditions:

- (1) This device may not cause harmful interference, and
- (2) this device must accept any interference received, including interference that may cause undesired operation.

Any Changes or modifications not expressly approved by the party responsible for compliance could void the user's authority to operate the equipment.

This equipment has been tested and found to comply with the limits for a Class B digital device, pursuant to Part 15 of the FCC Rules. These limits are designed to provide reasonable protection against harmful interference in a residential installation. This equipment generates, uses and can radiate radio frequency energy and, if not installed and used in accordance with the instructions, may cause harmful interference to radio communications.

However, there is no guarantee that interference will not occur in a particular installation. If this equipment does cause harmful interference to radio or television reception, which can be determined by turning the equipment off and on, the user is encouraged to try to correct the interference by one or more of the following measures:

- Reorient or relocate the receiving antenna.
- Increase the separation between the equipment and receiver.
- Connect the equipment into an outlet on a circuit different from that to which the receiver is connected.
- Consult the dealer or an experienced radio/TV technician for help.

FCC RF Radiation Exposure Statement: This equipment should be installed and operated with minimum distance of 20cm between the radiator and all persons.

This device contains licence-exempt transmitter(s)/ receiver(s) that comply with Innovation, Science and Economic Development Canada's licence-exempt RSS(s). Operation is subject to the following two conditions:

- (1) This device may not cause interference.
- (2) This device must accept any interference, including interference that may cause undesired operation of the device.

## FEATURE HIGHLIGHTS



**SensorPod™**  
Remote air quality monitor that ensures cleaner air, right where you need it.



**PureDirect™ Technology**  
Independent lab testing confirms that two airflow streams are better than one, moving air effectively and more comfortably throughout the room.



**Informs and Adapts**  
Color-coded illuminated ring provides additional information by communicating air quality in real-time.



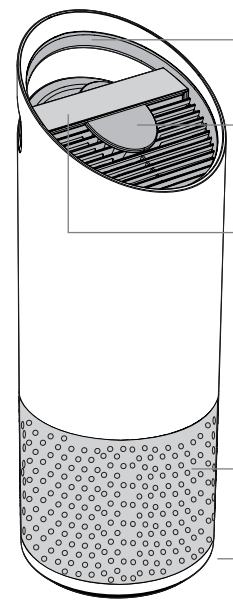
**360° Purification**  
DuPont™ HEPA filter captures pollutants and VOC gases/odors from all directions. UV light kills germs and bacteria that can get trapped in the filter.



**Thoughtful Execution**  
Exceptional functionality wrapped in a contemporary design that fits any environment.

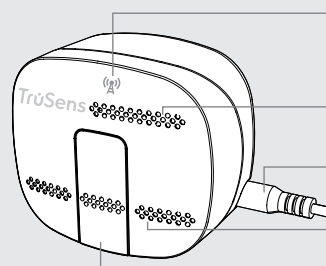
## PRODUCT OVERVIEW

### Air Purifier



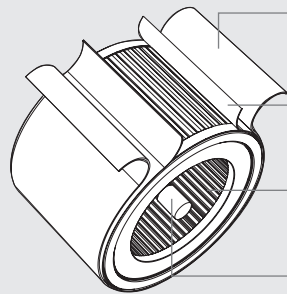
- Easy-carry handle
- Air quality indicator display
- Simple touch control panel
- 360° air intake
- Filter cover & knob (underneath)

### SensorPod™



- Power & signal indicator
- Air outlet
- Power cord
- Air inlet
- Easy-access door

### Filter & Ultraviolet Light



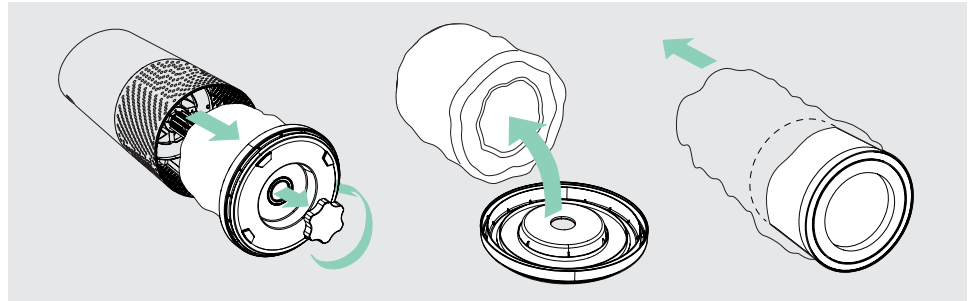
- Washable Prefilter
- Carbon Filter
- True HEPA Filter
- UV-C Light

## GETTING STARTED



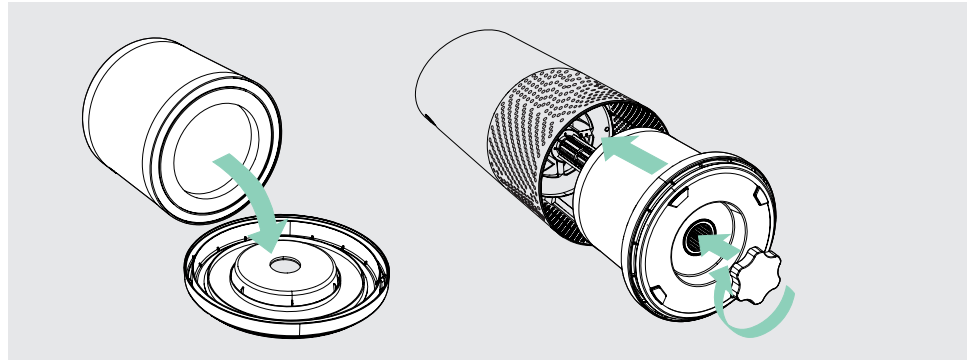
### 1. Remove plastic bag from filter

Unscrew the bottom cover and remove the plastic bag from the filter.



### 2. Re-attach filter

Secure filter on the bottom cover and replace inside the purifier.



### 3. Set up

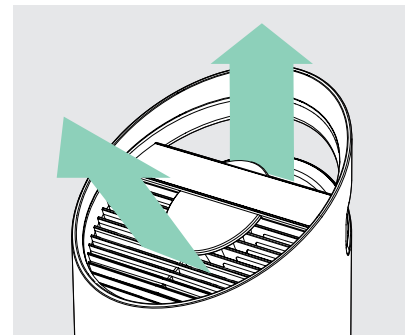
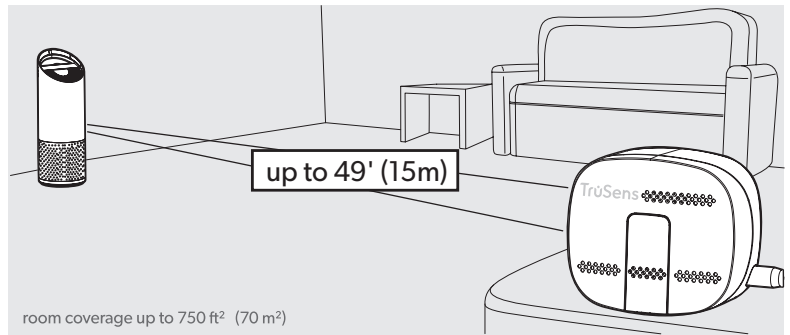
Plug-in your SensorPod™, and place upright on tabletop or counter across the room, within line of sight of the purifier.

Plug-in your air purifier unit and power on. Place the purifier on a flat surface, free from obstructions.

Signal strength may vary by location. In the rare occasion that it doesn't work – see page 18.

### 4. Start living with cleaner air!

The purifier will automatically adjust fan speeds based on the air quality readings from SensorPod, and proprietary PureDirect™ technology will deliver purified air throughout the room!



## CONTROL PANEL



### Power Button



### Fan Speed Settings

Select fan speed or AUTO mode. In AUTO mode, purifier automatically adjusts fan speed based on air quality readings from SensorPod™.

(AUTO mode only available when purifier is paired with SensorPod and receiving signal)



### Dimmer Mode

Display illumination turns off – for use while sleeping – without sacrificing the effectiveness of the purifier. Simply press the button again to bring back all display features.



### Timer Mode

Purifier will automatically turn off after 2, 4, 8, or 12 hours. To cancel this countdown, simply press button until no timer setting is displayed.

## UV

### UV Mode

UV bulb within the purifier's filter chamber is on when the ☀️ symbol is white. The ☀️ symbol will glow red when it is time to replace the UV bulb.

(See page 15 for replacement instructions)

## Reset

### Filter and UV Indicator Reset

HEPA, Carbon and UV indicators glow red when it is time for each to be replaced. When 1 indicator is on, simply hold Reset button for 3 seconds to reset that indicator. When 2+ indicators are on, tap the Reset button to select the correct indicator (selected indicator will blink) before holding 3 seconds to reset that indicator.

(See pages 13-15 for replacement instructions. Follow above Reset button instructions after replacing filter.)

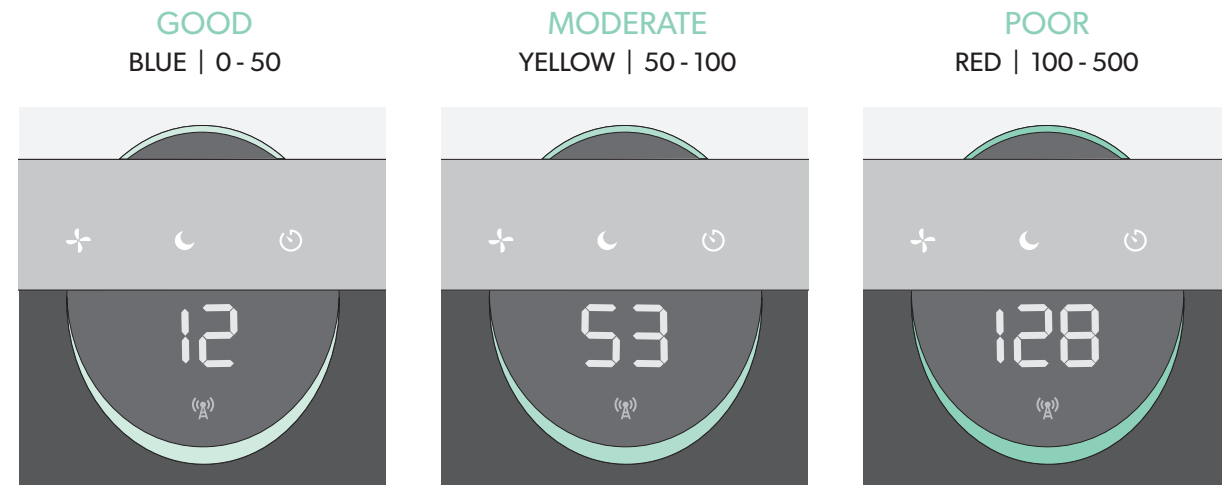
## AIR QUALITY DISPLAY

### Real-time Feedback

The revolutionary SensorPod™ evaluates the condition of your air by measuring both small (PM2.5) and larger (PM10) particulate matter. It calculates the overall air quality using a proprietary algorithm that is reactive to genuine increases in pollutants without overreacting to someone entering the room or settling into the couch.

The illuminated, color-coded display communicates good, moderate or poor air quality and a numeric value provides a greater level of detail.

In AUTO mode, the purifier automatically adjusts the fan speed in response to these air quality readings.



## SPECIFICATIONS

|                            |  |
|----------------------------|--|
| Air Inlet                  | 360°   |
| Air changed 2 times per hr | 750 ft <sup>2</sup> (70 m <sup>2</sup> )           |
| Air Delivery Type          | PureDirect™  |
| Sensor                     | SensorPod™, works up to 49 ft (15 m) from purifier |
| Fan Speed Settings         | Whisper, 1, 2, 3, Turbo                            |
| Purification Levels        | Washable Prefilter, Carbon, True HEPA, UV          |
| Timer Settings             | 2, 4, 8, 12 hr                                     |
| Filter Change Indicators   | Carbon, HEPA, UV                                   |
| Noise                      | 32 - 66 dB   |
| Dimensions                 | 10.3" x 10.4" x 28.6" (263 x 263 x 726 mm)         |
| Weight                     | 12.6 lbs (5.7 kg)                                  |
| Motor Type                 | DC motor   |
| Power Requirements         | 120v / 60 Hz                                       |
| Power Consumption          | 68 W   |
| Warranty                   | 2 years  |

### Replacement Filters & UV Bulb

|                         |              |
|-------------------------|--------------|
| 3-in-1 HEPA drum filter | AFH-Z3000-01 |
| Carbon filter (3-pack)  | AFC-Z3000-01 |
| UV Bulb                 | UVL-Z3000-01 |

## CARE & MAINTENANCE

### Accessing the filter chamber

1. Always power off the purifier by pressing the Power Button and unplugging the power cord.
2. Gently place the unit on its side on the floor so that the filter chamber cover and knob are exposed.
3. Turn the knob counter-clockwise and remove the filter cover and 360° HEPA filter drum (Fig. A).

## REPLACING HEPA FILTER

1. The HEPA indicator will glow red when it is time to change the entire HEPA drum filter.
2. Gently pull the HEPA drum filter away from its place secured to the filter cover (Fig. B).
3. Secure the replacement HEPA filter onto the filter cover (Fig. C).
4. Gently replace the filter cover with filter drum into the filter chamber and onto the threading, and turn the knob clockwise until the knob and filter chamber cover are securely tightened (Fig. D).
5. Plug-in and power on your purifier, and hold the Reset button until the red HEPA indicator turns off.

Note: HEPA drum filter (on page 12) will include 3 layers: Washable Prefilter, Carbon and True HEPA

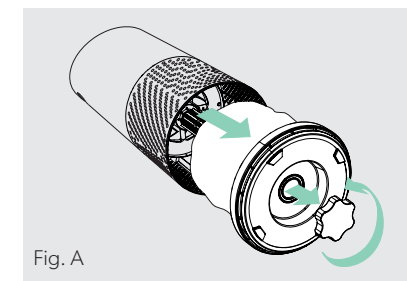


Fig. A

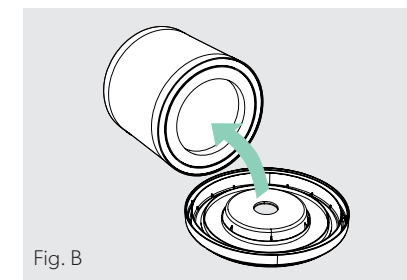


Fig. B

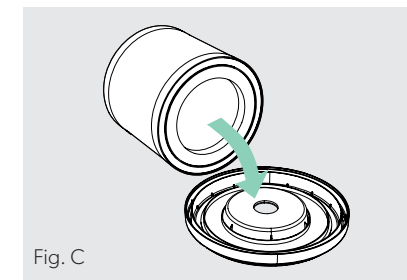


Fig. C

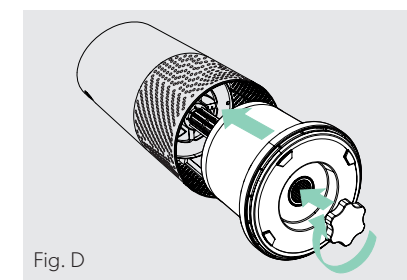


Fig. D

## REPLACING CARBON FILTER

1. The Carbon indicator will glow red when it is time to replace the Carbon layer.
2. Gently peel away the Prefilter from the fastener strips (Fig. E).
3. Gently peel away the used Carbon layer from the fastener strips (Fig. F).
4. Wrap a new Carbon layer around the filter drum and attach to the same fastener strips (Fig. G).
5. Replace the Prefilter by wrapping it around the Carbon layer and attach to the fastener strips (Fig. H).
6. Once the purifier is powered-on, hold the Reset button until the red Carbon indicator turns off.

Note: Carbon filter 3-pack (on page 12) will cover 3 Carbon changes between replacing the entire HEPA drum filter assembly (on page 13).

## WASHING THE PREFILTER

1. We recommend that you visually inspect the Prefilter every month, and clean as needed. At minimum, you should hand wash the Prefilter every time you change the Carbon filter.
2. Gently peel away the Washable Prefilter from the fastener strips (Fig. E).
3. Gently rinse with running water – allow Prefilter to air dry before re-installing.
4. Replace the Prefilter by wrapping it around the filter drum and attach to the fastener strips (Fig. H).

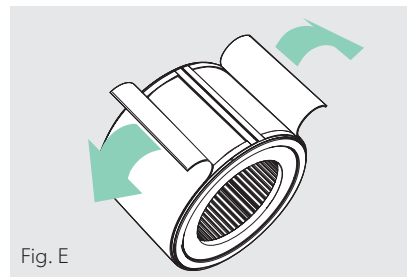


Fig. E

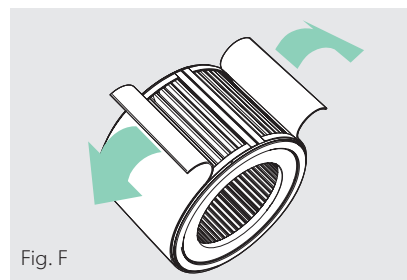


Fig. F

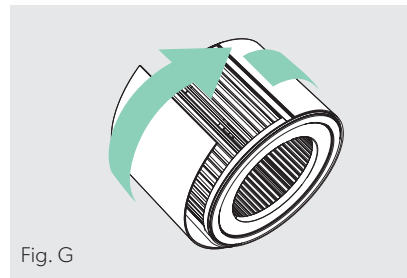


Fig. G

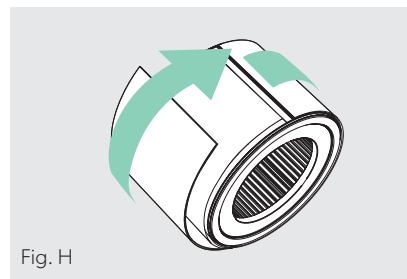




Fig. H

## REPLACING UV BULB

1. The  indicator will glow red when it is time to replace the UV bulb.
2. Remove HEPA filter drum (Fig. A), and use a screwdriver to remove the 4 screws securing the UV housing (Fig. I).
3. Gently remove the UV housing (Fig. J).
4. Disconnect the UV bulb from the socket within the purifier (Fig. K).
5. Your replacement UV bulb (on page 12) will plug directly into the same socket (Fig. L).
6. Replace the UV housing and use a screwdriver to tighten the fastening screws.
7. Once the purifier is powered-on, hold the Reset button until the  indicator turns white.

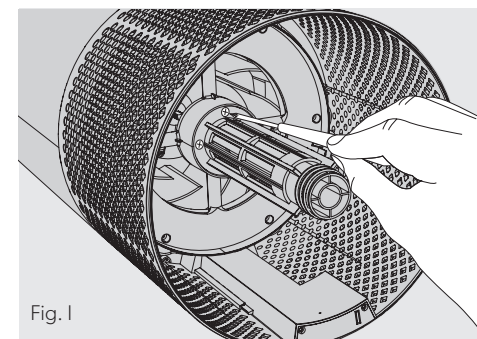


Fig. I

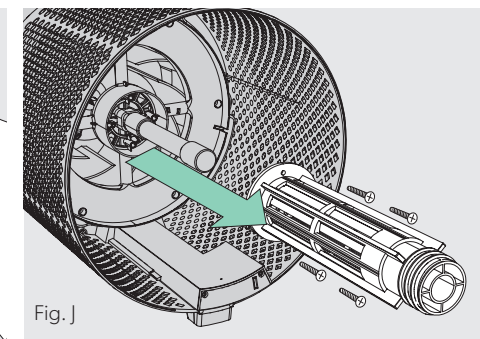


Fig. J

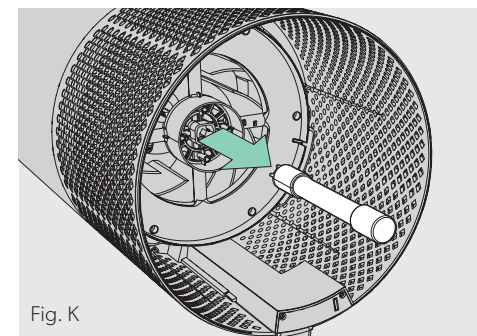


Fig. K

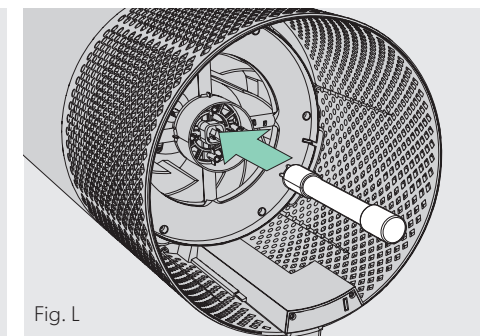


Fig. L



## CLEANING THE SENSORPOD™

### Cleaning the air quality sensor

The SensorPod™ uses an infrared light to detect particulate matter, so it is important that you clean the viewing chamber every 1-2 months to remove any dust or particles that may affect the accuracy of the sensor's readings.

1. Turn-off the SensorPod by unplugging the power cord.
2. Open the easy-access door on the front side by pulling the door up at a 90° angle.
3. Use a damp cotton swab to wipe the lens and intake area of the dust sensor (Fig. M).
4. Use a dry cotton swab to wipe away any remaining moisture.
5. Close the cover by rotating the door back down and sliding it back into place until you hear a click.

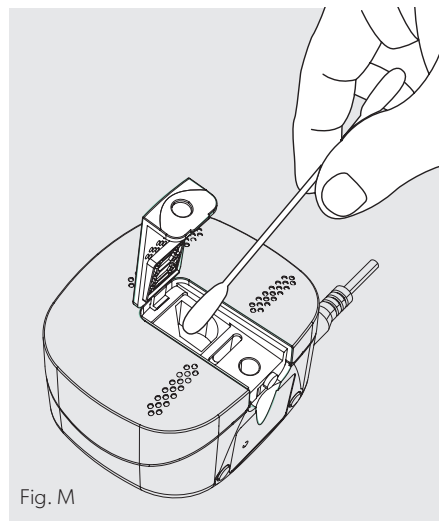


Fig. M

## FAQ & TROUBLESHOOTING

|  |   |
|--|---|
| <b>Where do I place the SensorPod™?</b>                                | Anywhere you want to measure the air quality within the room!<br>For optimal results, place the SensorPod™ up to 49 ft (15 m) away from the air purifier on a counter or table, within line of sight of the purifier. In Auto Mode, the purifier will work to distribute clean air until the SensorPod reads an acceptable level of air quality.                          |
| <b>How often do I need to change the filters?</b>                      | That's easy! The purifier's replacement indicators will notify you when it is time to replace the Carbon or HEPA filters, or the UV bulb.<br>Plan on replacing the Carbon every 3-4 months, HEPA every 12-15 months, and UV bulb every 1-3 years.   |
| <b>How often do I need to wash the Prefilter?</b>                      | The Prefilter captures larger particles and preserves the efficiency of the other filters, so we recommend that you visually inspect the prefilter every month and wash as needed. Another good habit is to wash the prefilter every time you replace the Carbon filter.  |
| <b>How often do I need to clean the dust sensor within SensorPod™?</b> | For the most accurate measurement of your air quality, we'd recommend you clean the surface of the dust sensor every 1-2 months.  |
| <b>Purifier won't turn on.</b>   | Check that the power cord is connected securely to both the wall outlet and the purifier. Check if there is a power outage in the outlet by trying a nearby light or device, or by trying a working device in the same outlet.<br>Check that the HEPA filter is fitted properly into filter chamber.<br><br>Please contact us if you're still having a problem! (page 19) |

## FAQ & TROUBLESHOOTING

|   |  |
|---|--|
| <p><b>Purifier won't go into Auto Mode.</b></p> <p>OR</p> <p><b>Air quality indicators are off.</b></p> <p>OR</p> <p><b>Purifier's sensor signal indicator is blinking.</b></p> | <p>First, check that the SensorPod is plugged-in and that its light is solid.</p> <p>Next, check that the SensorPod is within range of the purifier (up to 49ft/15m).</p> <p>If both are true and the connection is still failing, see below instructions on repairing the SensorPod's connection.</p> |
| <p><b>I've lost my SensorPod™!</b></p>  | <p>Don't worry! Please contact our customer support team and you can order a replacement SensorPod. Follow the easy pairing instructions below to pair your replacement SensorPod with your existing air purifier!</p>   |

### Pairing SensorPod™ and Purifier

The SensorPod communicates with the purifier using radio frequency signals, and will be paired on the production line and ready for use when you open the box. In the rare event that the signal is interrupted, the purifier's sensor indicator light (📶) will blink. You can repair the connection in just a few easy steps.

1. Unplug the SensorPod.
2. HOLD the Power Button on the purifier for 3 seconds, when you should hear two chimes.
3. Plug-in the SensorPod and use an item with a small point (paper clip) to press and HOLD the pairing button underneath the SensorPod for 5-7 seconds (Fig. N).

4. The connection is established when the purifier's sensor indicator light is lit with no blinking, and the air quality indicators turn on.

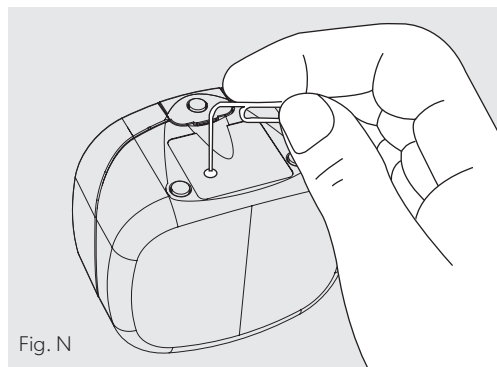


Fig. N

## WARRANTY

TruSens™ warrants that the machine will be perform to the specifications stated and be free from defects in materials and workmanship for a period of 2 years from date of purchase, subject to normal use. Within the guarantee period, TruSens will at its own discretion either repair or replace the defective machine free of charge. Defects due to shipping, misuse, improper maintenance or the use of any parts from another manufacturer are not covered under this guarantee. Proof of date of purchase will be required. Repairs or alternations made by persons not authorized by TruSens will invalidate the guarantee. This guarantee does not affect the legal rights which consumers have under applicable national legislation governing the sale of goods.

## SUPPORT

Thank you for welcoming TruSens into your home. Our customers are at the heart of what we do, and we strive to design products that fit your lifestyle. If you have any questions or feedback, please reach out!

Visit our website at [www.trusens.com](http://www.trusens.com)

Email us at [support@trusens.com](mailto:support@trusens.com)

Call us at **1-833-TRUSENS** (1-833-878-7376)

Subscribe to our YouTube channel [TruSens](#)

& Follow us [@TruSensWellness](#)



# TruSens™

[www.trusens.com](http://www.trusens.com)



ACCO Brands  
101 O'Neil Road  
Sidney, NY 13838  
Tel: 607-563-9411

©2019 ACCO Brands. All rights reserved. TruSens™, U™ & Design, SensorPod™ and PureDirect™ are trademarks of ACCO Brands. DuPont™ & the Oval logo are trademarks or registered trademarks of E.I. du Pont de Nemours and Company used under license.

21973P001